

# QUICKSNAP - INSTRUCTIONS



## 1. Attach feet

Slide the thickest vertical pole through the hole in the top of the foot; insert screw through the small hole in the bottom of the foot and tighten into the vertical pole. Repeat for the second vertical pole.

## 2. Attach horizontal poles to first vertical pole

Extend the telescoping vertical poles slightly so that the small top and bottom holes are open. Insert the thumbscrews through the top and bottom holes, into the horizontal poles, and tighten. Adjust the telescoping horizontal poles to the approximate width of the banner; it is better if the telescoping sections are equal in length.

## 3. Slide on banner

Slide the banner sleeves over the horizontal poles. Don't worry about adjusting the vertical height.

## 4. Attach second vertical pole

Attach the second vertical pole to the horizontal poles in the same manner as the first one, hand-tightening the top and bottom thumbscrews.

## 5. Adjust height and width

Loosen the lock nuts on the telescoping sections to adjust the height and width of the stand until it is slightly wider than the banner and pulling it fairly taught vertically. For best results, make sure the telescoping sections in the vertical poles are the same length on each side, and that they reach the same height.

### parts list:

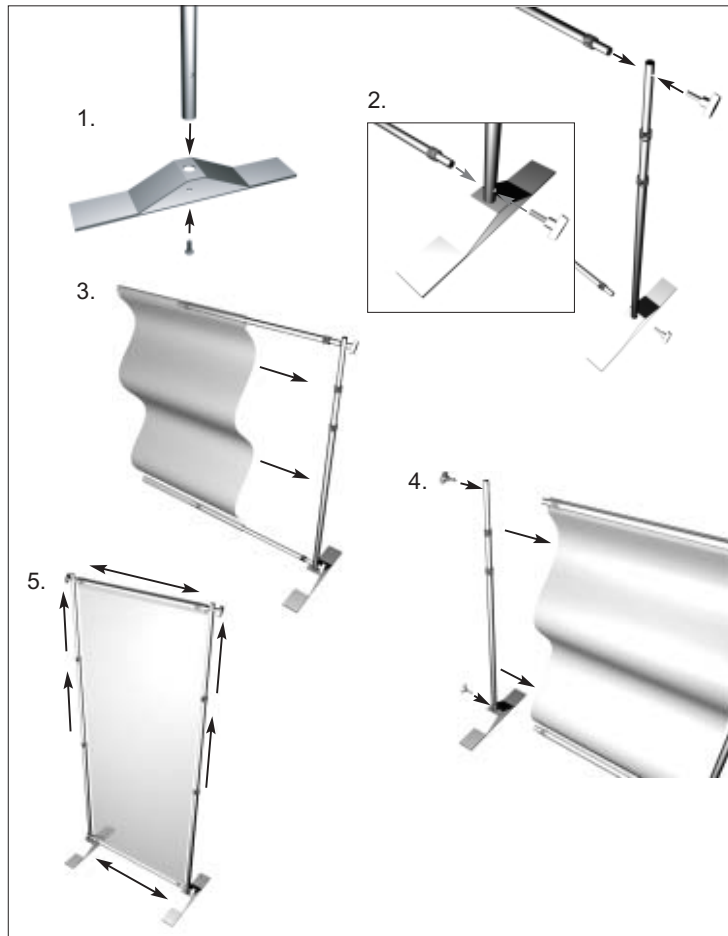
2 - horizontal poles with one middle section and two telescoping side sections

2 - vertical poles with three telescoping sections.

2 - feet and foot screws

4 - thumbscrews

1 - banner



### tips:

Always keep these instructions with your quicksnap

To minimize creasing, carefully fold or roll the banner after each use

When the display will be subjected to frequent travel, a hard carry case is recommended.

In case of loss or damage, spare parts are readily available.

